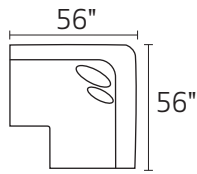
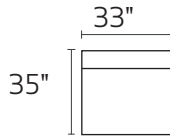


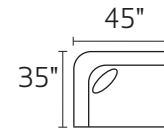
# S0196 NYLA



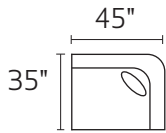
-11XXX SEATING WEDGE



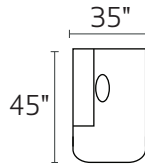
-10XXX ARMLESS CHAIR



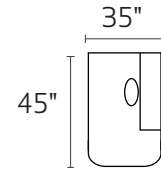
-74LFX LAF CHAIR & 1/2



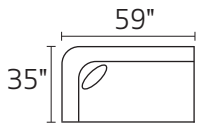
-74RFX RAF CHAIR & 1/2



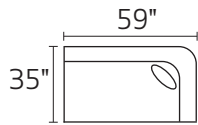
-13LFX LSF BUMPER CHAISE



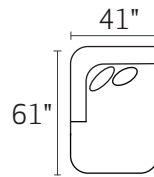
-13RFX RSF BUMPER CHAISE



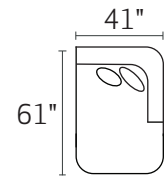
-25LFX LAF LOVESEAT



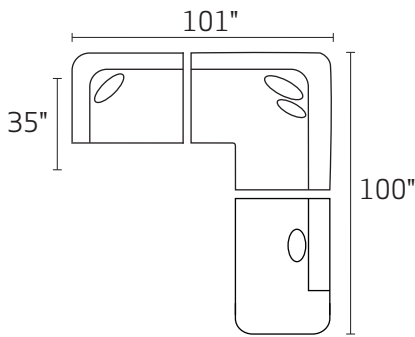
-25RFX RAF LOVESEAT



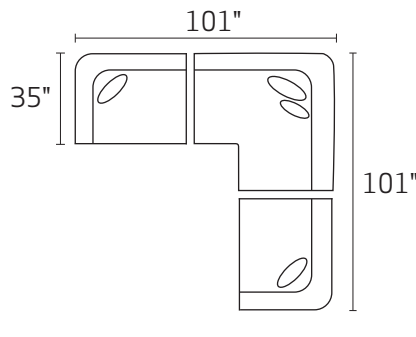
-82LFX LAF CHAISE



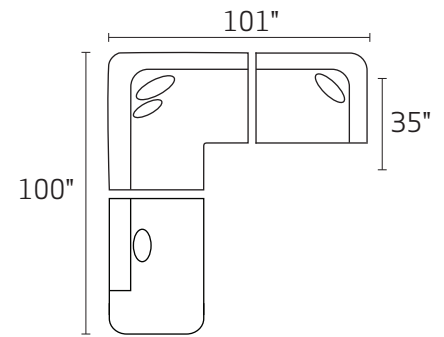
-82RFX RAF CHAISE



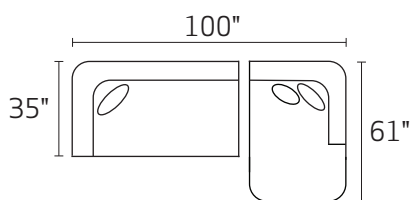
-74L/-11/-13R



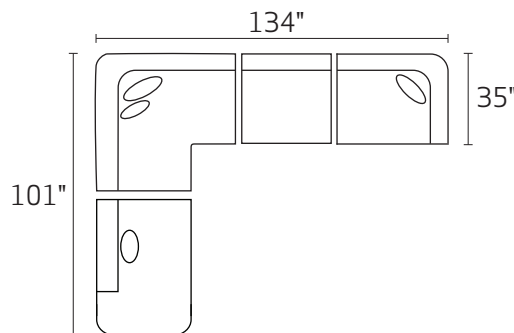
-74L/-11/-74R



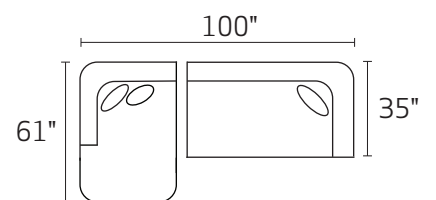
-13L/-11/-74R



-25L/-82R



-13L/-11/-10/-74R



-82L/25R