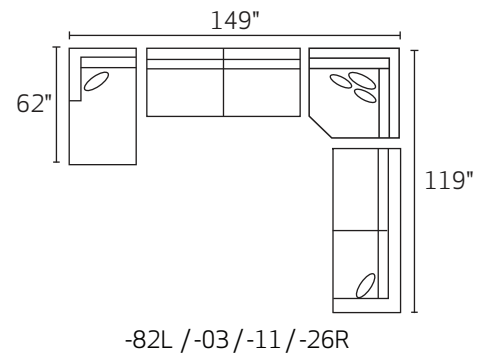
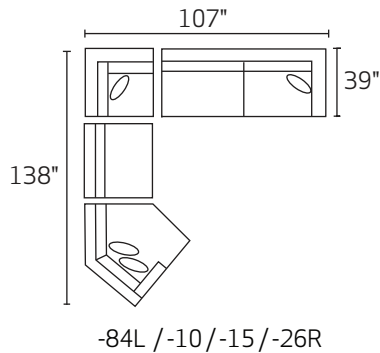
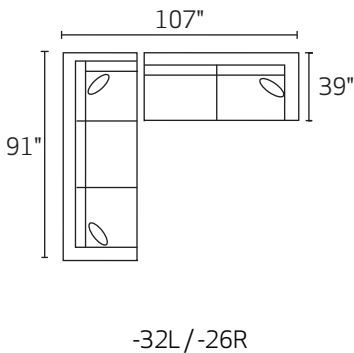
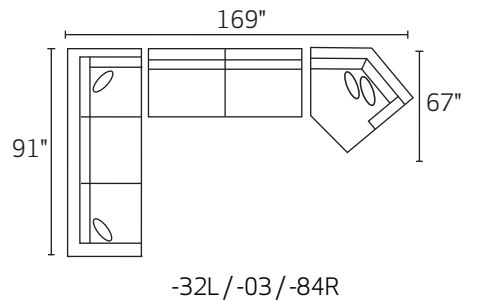
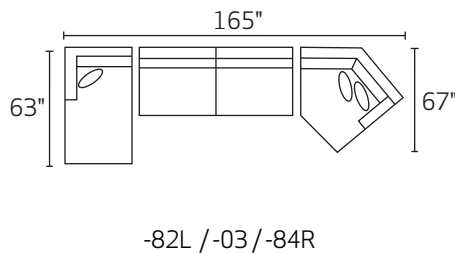
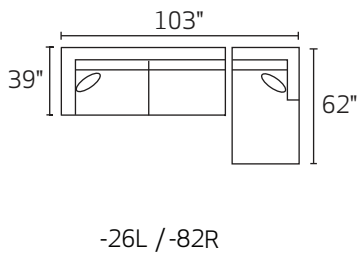
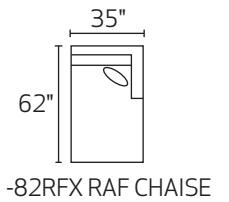
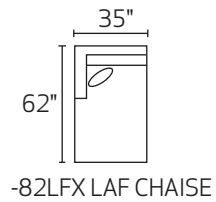
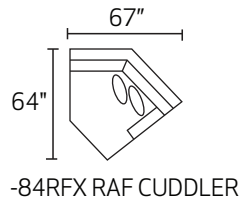
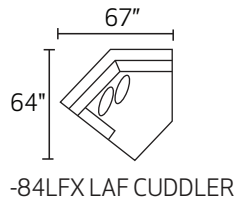
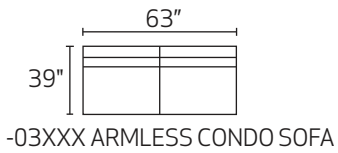
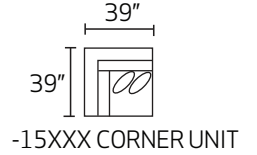
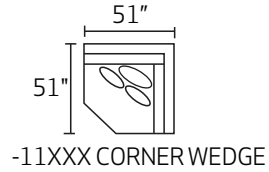
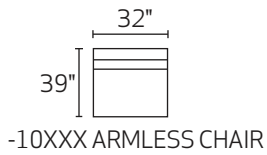
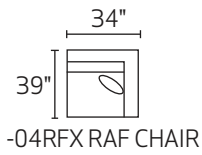
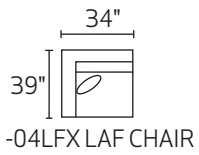
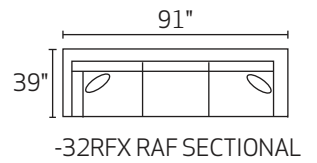
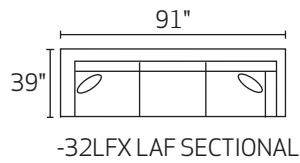
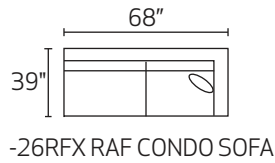
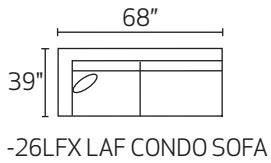
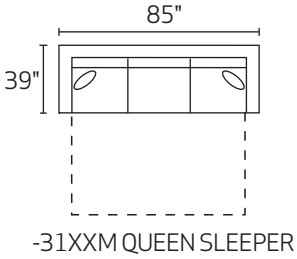
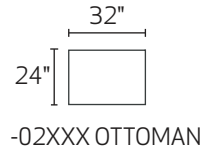
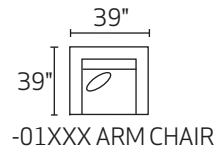
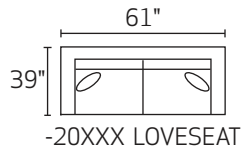
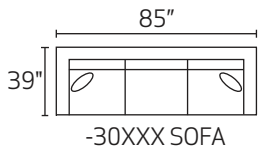
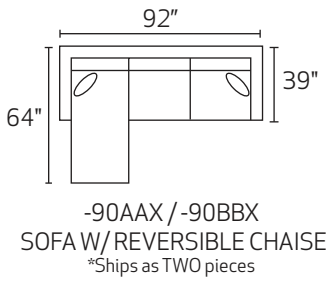


S1083 BRAXTON



*DIMENSIONS ARE APPROXIMATE