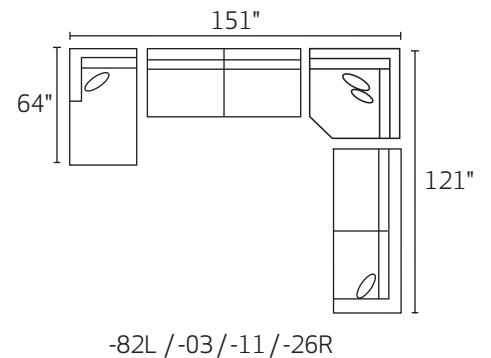
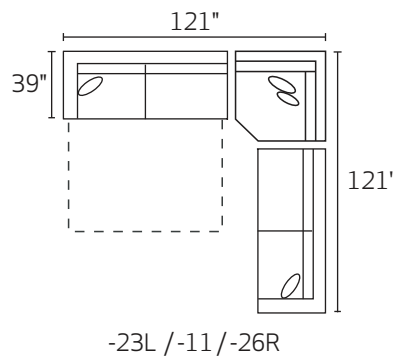
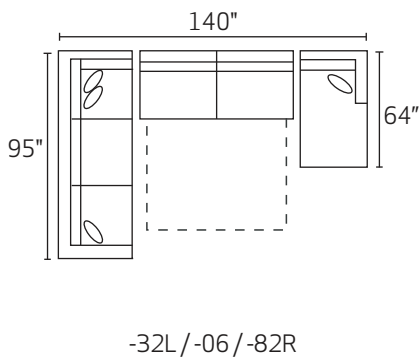
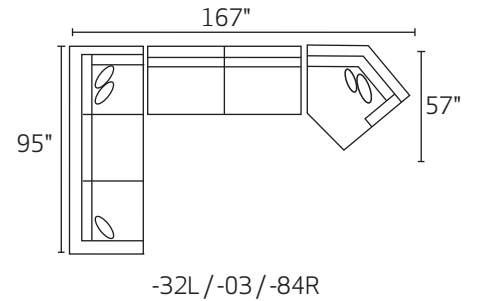
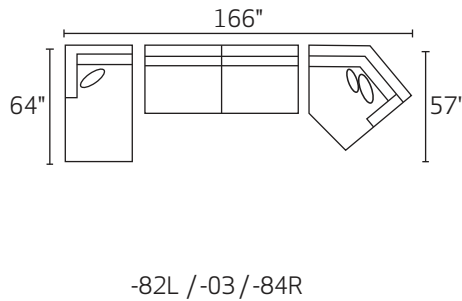
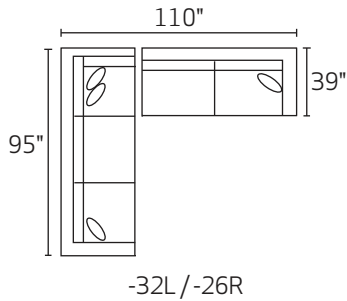
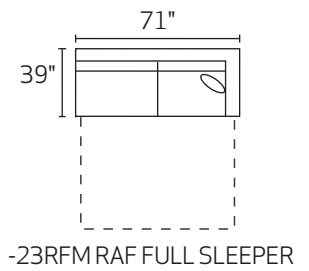
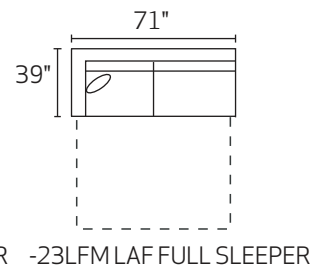
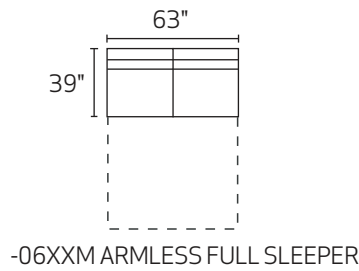
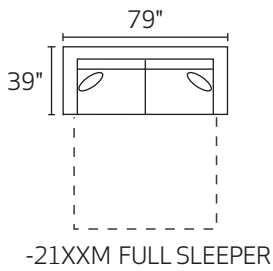
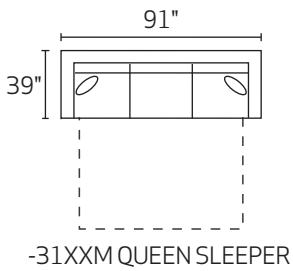
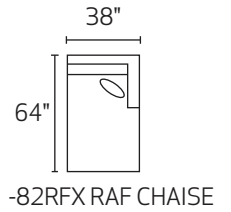
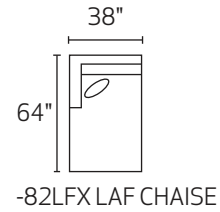
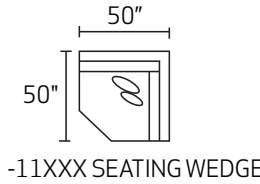
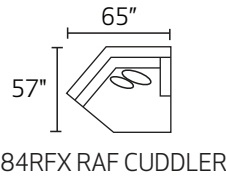
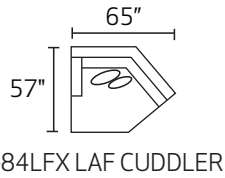
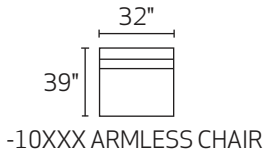
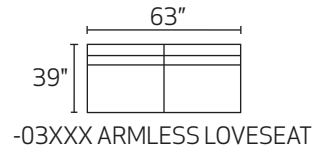
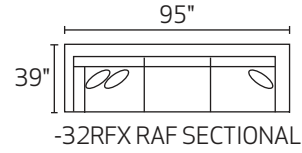
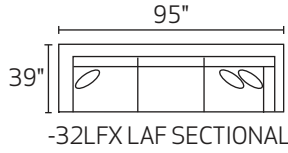
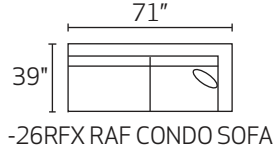
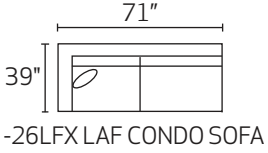
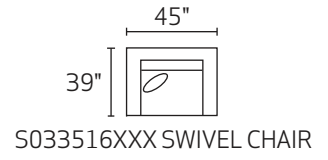
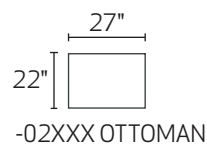
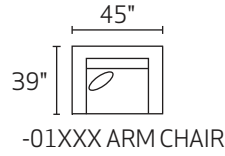
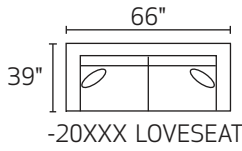
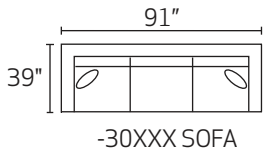


S0335 FLETCHER



*DIMENSIONS ARE APPROXIMATE
REVISED 06/17/2021